

## **SAFETY INSTRUCTIONS**

Dear Customer: If you follow the recommendations included in this instruction manual, your appliance will offer you consistently high performance and will operate correctly for many years.

Before using this appliance, please read the operating instructions carefully and keep the instructions, including the warranty, the receipt and, if possible, the packing box with the inner packaging. If you pass on the appliance to third parties, please also hand over the operating instructions.

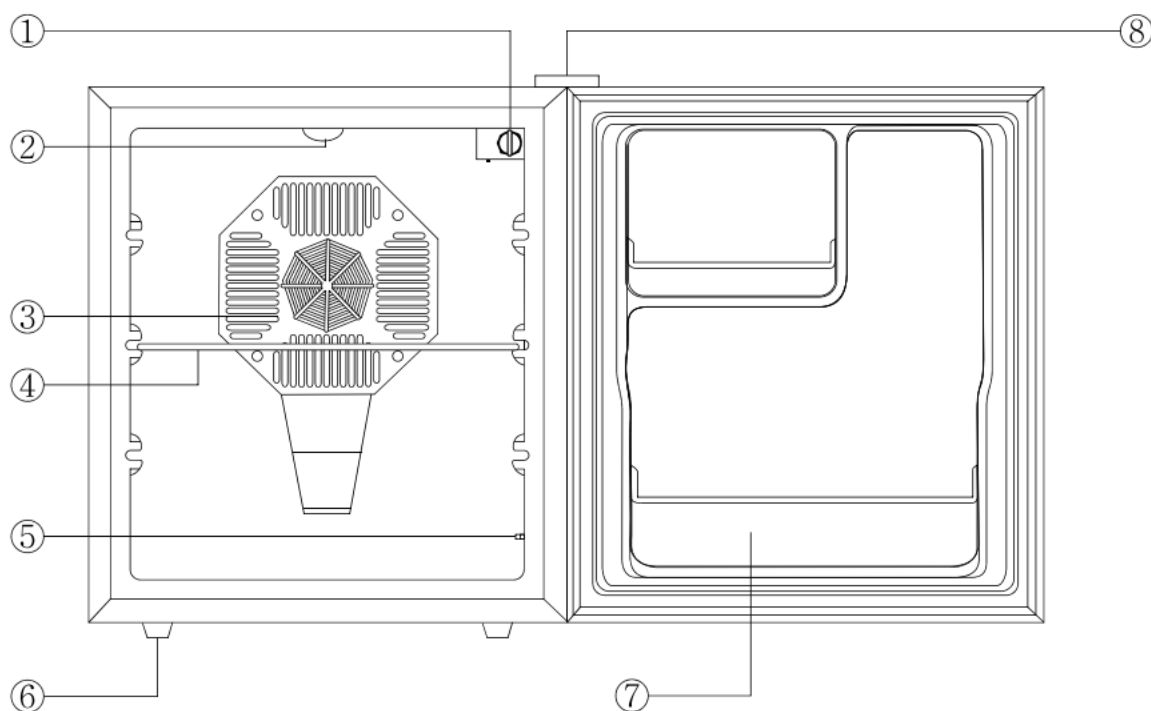
## **GENERAL**

1. This appliance can be used by children aged from 8 years and above and persons with reduced physical, sensory or mental capabilities or lack of experience and knowledge if they have been given supervision or appropriate training concerning use of the appliance in a safe way and understand the hazards involved. Children shall not play with the appliance. Cleaning and user maintenance shall not be made by children without supervision.
2. Children should be supervised to ensure that they do not play with this appliance.
3. Keep the appliance and its cord out of the reach of children under 8 years of age.

4. CAUTION: For the safety of your children, do not leave packaging material (plastic bags, cardboard, polyethylene, etc.) within their reach.
  5. If the power cord is damaged, it must be replaced by the manufacturer, service technician or other qualified professional.
  6. Never disconnect by pulling on the cord.
  7. Do not operate if the cord or plug is damaged or if you notice that the appliance is not working properly.
  8. Do not handle the appliance with wet hands.
  9. Do not immerse the appliance in water or any other liquid.
  10. Before cleaning, make sure the appliance is unplugged.
  11. The appliance must be installed in accordance with national regulations for electrical installations.
  12. This appliance is for domestic use only.
  13. If you need a copy of the instruction manual, you can find it at [www.orbegozo.com](http://www.orbegozo.com).
  14. WARNING: There is a risk of possible injury if used incorrectly.
- DANGER or WARNING: Child entrapment and suffocation are not problems of the past. Unused or abandoned appliances are still dangerous even if they are “just sitting in storage for a few days.”

- Before you throw away an old refrigerator: Remove the door. Leave the shelf in place so children can't easily climb inside.
- Never allow children to play with the refrigerator, climb inside it, or use it.
- Never clean the refrigerator with flammable liquids. The gases may cause a fire or explosion.
- Do not store or use gasoline or other flammable vapors and liquids in the vicinity of this or any other refrigerator. The fumes could cause a fire or explosion.
- Do not repair or replace any part of the refrigerator or attempt any maintenance unless specifically recommended in the instruction manual or user service manual.
- The device must not be exposed to atmospheric agents (rain, sun, ice, etc.)
- **WARNING:** Keep the ventilation grilles of the appliance clear.
- **WARNING:** Do not use electrical appliances inside compartments intended for food preservation.

## PARTS OF YOUR FRIDGE



1. Temperature control knob

2. Inner light

3. Cold fan cover

4. Shelf

5. Sensor

6. Legs

7. Door cladding

8. Top hinge cover

## INSTALLATION INSTRUCTIONS

### Before using your refrigerator

- Remove the outer and inner packaging.
- Check that you have all of the following parts:
  - Shelves
  - Instruction manual
  - Energy label
- Clean the interior surface with warm water using a soft cloth.

### Facility

- This appliance is designed to be free-standing and free-standing. It must not be built into or embedded in any other fixture.
- Place the refrigerator on a floor that is strong enough to support the weight of the refrigerator when fully loaded.
- Leave about 15cm of space between the back and sides of the refrigerator so that there is proper air circulation to allow the heat sink to cool.

- Place the refrigerator away from direct sunlight and heat sources (stove, heater, radiator, etc.). Direct sunlight can damage the acrylic coating and heat sources can increase electrical consumption. Extremely cold temperatures can also cause the refrigerator to malfunction.
- This refrigerator uses thermoelectric cooling technology (not a compressor) and is not designed to be placed in very hot locations such as garages, warehouses or outdoors as it is designed to operate at a maximum temperature of 15 degrees below ambient temperature. It is recommended that you install the appliance in a location where **the ambient temperature is not higher than 28°C** . If the ambient temperature is higher than the recommended temperature, the performance of the unit may be affected.
- Avoid placing the refrigerator in areas with high humidity.
- Plug the refrigerator into a properly grounded, dedicated wall outlet. Any questions or concerns you may have regarding the electrical connection and/or grounding should be consulted with a qualified electrician or the Authorized Service Center for the product.
- After plugging the appliance into a wall outlet, let it run for 2-3 hours before placing food in the refrigerator compartment.

#### Below are guidelines for creating proper ventilation

- Ventilation Basics: While the unit is cooling (removing heat) from its interior, the removed heat is being dissipated through the external fan at the back of the refrigerator. This heat must be removed with proper air circulation and evacuated to the outside of the cabinet. Otherwise, excessive heat will build up inside the cabinet, preventing the unit from maintaining proper cooling, increasing energy consumption, and overheating electrical components.
- If the unit is to be placed in a cupboard, it should have no door at the front and the back should be completely open with a minimum of 15cm of clearance between the back of the unit and the wall with no restrictions for warm air to rise out the back. If there is no alternative to having a door on the cupboard, the door should be vented with grilles or openings (equivalent to a minimum of 200 square centimetres) to allow incoming airflow. More than 200 square centimetres is always better.

#### **Electrical connection**

For your safety, this appliance must be properly grounded. The power cord of this appliance is equipped with a three-prong plug which fits into standard three-prong wall outlets to minimize the possibility of electric shock.

Do not under any circumstances cut or remove the third grounding prong from the power cord supplied. For your safety, this appliance must be properly grounded.

This appliance requires a standard 220-240 volts AC ~/50Hz grounded 3-prong electrical outlet. Have the outlet and circuit checked by a qualified electrician to ensure that the outlet is properly grounded. When you encounter a standard 2-prong wall outlet, it is your responsibility and obligation to replace it with a properly grounded 3-prong wall outlet.

The cord should be secured behind the appliance and not left exposed or hanging to prevent accidental injury.

The appliance should always be plugged into its own outlet, the voltage of which matches the voltage on the appliance label. This provides the best performance and also prevents overloading of the house wiring circuits which could cause a fire hazard from overheating. Never unplug the appliance by pulling on the power cord. Always grasp the plug firmly and pull straight out from the receptacle. Repair or replace immediately any power cord that is frayed or damaged. Do not use cords that show cracks or abrasion damage along their length or at any end. When moving the appliance, be careful not to damage the power cord.

## surge protector

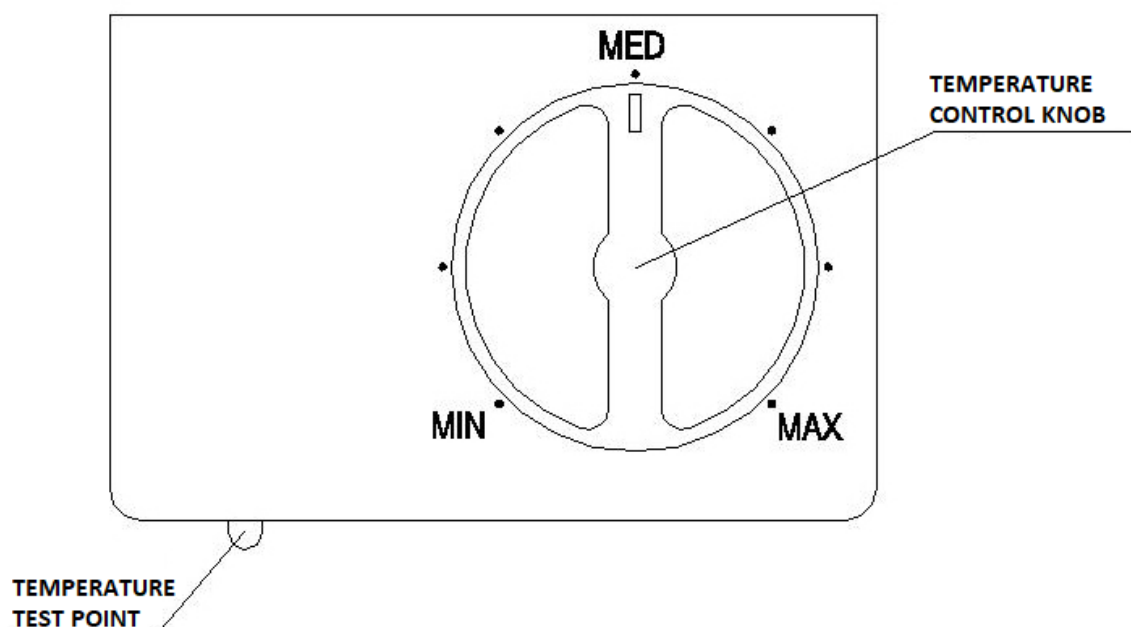
Most electrical appliances use a series of electrical control boards to operate. These boards are very susceptible to power surges and can be damaged or destroyed.

If the appliance is to be used in an area or if your city/country is prone to power surges/blackouts; it is suggested that you use a surge protector for all electrical appliances/household appliances that you use. The surge protector you choose should have a surge block high enough to protect the appliance it is connected to. If you have any doubts about the type and size of surge protector you need, please contact a licensed electrician in your area.

Damage due to power surges is not considered a defect covered by the manufacturer and will void the product warranty.

## OPERATION OF THE FRIDGE

### Temperature control



### Setting the temperature control

- Your refrigerator has only one knob to regulate the temperature. The temperature control is located in the INTERIOR compartment.
- To control the internal temperature, adjust the control knob according to the ambient temperature or the purpose of use.
  - The first time you turn on the appliance, set the temperature control to "MAX".
  - The temperature control range is from "MIN" to "MAX" position.
- After 24 hours, adjust the temperature control to the setting that best suits your needs. The "MED" setting should be appropriate for home or office refrigerator use.

### Inner light

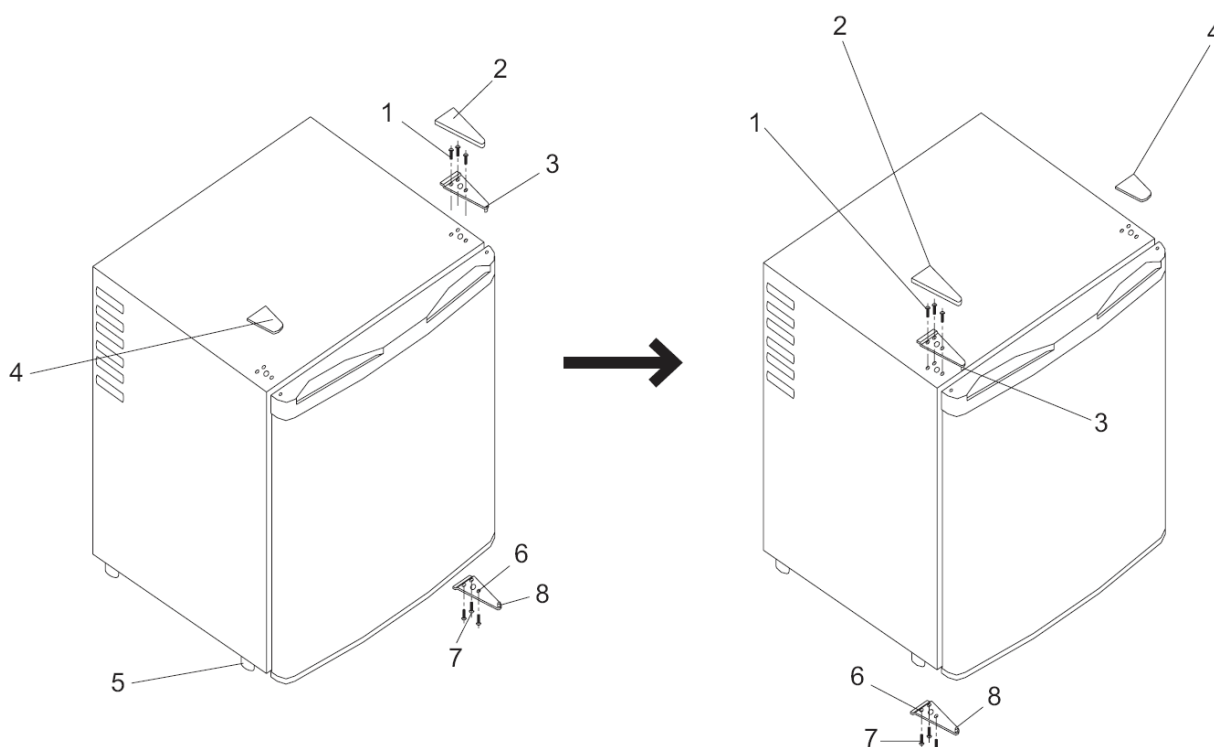
This refrigerator has an LED light located at the top of the interior compartment.

## CARE AND MAINTENANCE

### Reversing the rotation of the door of your appliance

This refrigerator has the ability to open the door from either the left or right side. The unit is delivered with the door opening from the left side.

If you need to open the door from the opposite side, it is recommended that you call your local authorized service agent to perform this conversion or consult a technician. Before reversing the door, you must ensure that the appliance is unplugged and empty. It is recommended to use a Phillips screwdriver and a wrench.



1. Remove the top hinge cover (2).
2. Remove the screws (1) that secure the top hinge (3) to the appliance, then remove the top hinge.
3. Lift the door and place it on a padded surface to prevent scratching.
4. Remove the screws (7) securing the bottom hinge (6), then remove the bottom hinge.
5. Remove the foot (5) and transfer it to the opposite side.
6. Remove the cover plate (4) to the opposite side.
7. Before installing the bottom hinge, remove the screw (8) and reverse the direction of the bottom hinge. Then install the bottom hinge on the opposite side with the screws.

8. Insert the pin into the bottom hinge.
9. Place the door into place making sure the door sits on the bottom hinge.
10. While holding the door in the closed position, secure the top hinge to the appliance using the screws (1). Make sure the door is aligned horizontally and vertically so that the joints are closed on all sides before finally tightening the screws.
11. Install the top hinge cover onto the top hinge.

### **Defrosting the refrigerator**

This model uses a thermoelectric cooling system with automatic defrost system so it is not necessary to defrost it manually.

### **Cleaning the refrigerator**

- Unplug the refrigerator and remove the shelf.
- Wash interior surfaces with a solution of warm water and baking soda. The solution should be about 2 tablespoons of baking soda per quart of water.
- Wash the shelf with a mild detergent solution.
- The exterior of the refrigerator should be cleaned with a mild detergent and warm water.
- Wring out excess water from the sponge or cloth before cleaning the control area or any electrical parts.
- Wash the outer cabinet with warm water and mild liquid detergent. Rinse thoroughly and dry with a soft, clean cloth.

**CAUTION:** Failure to unplug the refrigerator may result in electrical shock or personal injury.

### **Power failure**

Most power outages are corrected within a few hours and should not affect the temperature of your refrigerator if you keep the number of times you open the door to a minimum. If the power outage is going to last longer, you should take appropriate measures to protect your food.

## Vacation

- Short vacations: Leave the refrigerator running during vacations of less than three weeks.
- Long vacations: If you are not going to use the appliance for several months, remove all food and unplug the power cord. Clean and dry the interior thoroughly. To prevent the formation of odours and mould, leave the door slightly open: lock it if necessary.

## How to move your refrigerator

- Remove all food.
- Secure all loose items inside your refrigerator with tape.
- Tape the door shut.
- Protect the outside of the refrigerator with a blanket or similar object.

## Tips for saving energy

- The refrigerator should be placed in the coolest part of the room, away from heat-producing appliances and direct sunlight.
- Overloading the refrigerator forces the superconducting cooling system to run longer.
- Reduce door openings and lengthy searches, remove only as many items as necessary at one time, and close the door as soon as possible.
- A characteristic of peltier cooling units is the time they need to recover after frequently opening and closing the door. It may be necessary to wait longer for the temperature to return to its previous level once the door has been open too long. This is normal for the type of unit.

## Replacing light bulbs

The bulb is a long-lasting, energy-efficient LED. Therefore, it should not need to be replaced throughout the life of the product. However, if necessary, it should be replaced by a qualified technician.

## PROBLEMS WITH YOUR DEVICE

You can easily resolve many common refrigerator problems, saving you the cost of a possible service call. Try the following suggestions to see if you can resolve the problem before calling for service.

## TROUBLESHOOTING GUIDE

ISSUES	POSSIBLE CAUSE
The refrigerator does not work.	It is not plugged in. The circuit breaker has tripped or a fuse has blown.
The refrigerator is not cold enough.	The ambient temperature is higher than normal. The door opens too often. The door is not completely closed. The temperature control is not set correctly. The door gasket does not seal properly. Abnormal tension.
The light doesn't work.	It is not plugged in. The circuit breaker has tripped or a fuse has blown. The LED light has burned out.
Vibrations.	Check that the refrigerator is level.
The door does not close properly.	The refrigerator is not level. The door has been reversed and has not been installed correctly. The board is dirty. Shelves, bins or baskets are out of position.

## PRODUCT INFORMATION

MODEL	NVE 6000 / NVE 6100
Climate class	N, SN
Capacity (L)	38
Voltage (V)	220-240
Frequency (Hz)	50
Airborne acoustic noise emission class	B
Dimension (H*W*D) (mm)	515 x 432 x 440 mm

**ELIMINATION OF THE HOUSEHOLD APPLIANCE OLD**

In base to the Rule European 2012/19/EU of Waste of devices Electrical and Electronics (WEEE), the household appliances old No they can be thrown in the regular municipal containers; they have to be collected selectively for optimize the recovery and recycling of the components and materials that the constitute, and reduce he impact in the health human and he environment. He symbol of the cube of trash crossed out HE brand about all the products for remember to the consumer the obligation of separate them for collection selective. The consumer should contact the local authority or the seller for information regarding the correct elimination of his appliance old.

**STATEMENT OF ACCORDANCE:**

This device complies with the requirements of the Low Voltage Directive 2014/35/EU and the requirements of the directive Compatibility Electromagnetic 2014/30/EU.

**WARRANTY**

This appliance is covered and has the right to a legal guarantee in accordance with current legislation from the date of purchase. Keep the purchase receipt in order to claim your right to the guarantee. To find the service closest to your location, contact us through the following web link: <https://orbegozo.com/asistencia-tecnica/>

For any type of query, doubt or incident you can contact us through our email reflected on the main page of this manual or through our technical assistance service at <https://orbegozo.com/contacto/>

Orbegozo is not responsible for components and accessories that are subject to wear and tear due to use, as well as perishable components or those that have deteriorated due to improper use. Nor will it be responsible if the owner has technically modified the appliance. Please consult the legal conditions on our website.